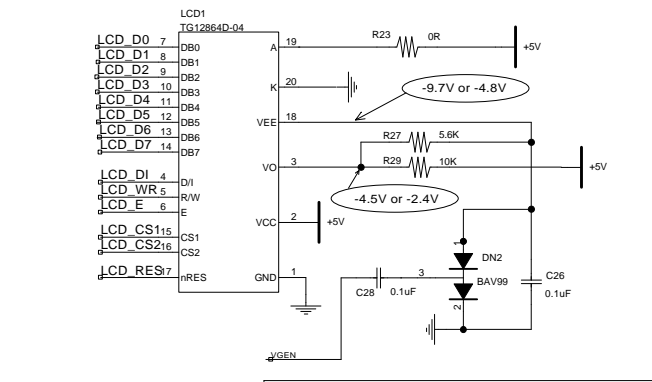
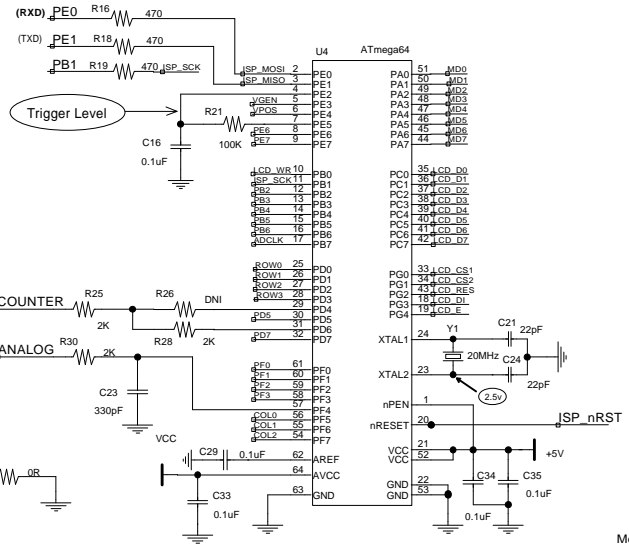
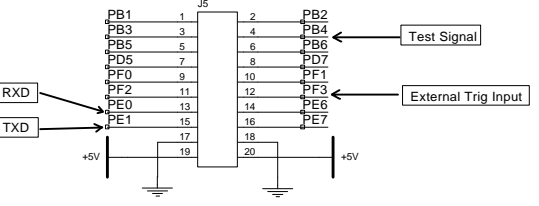
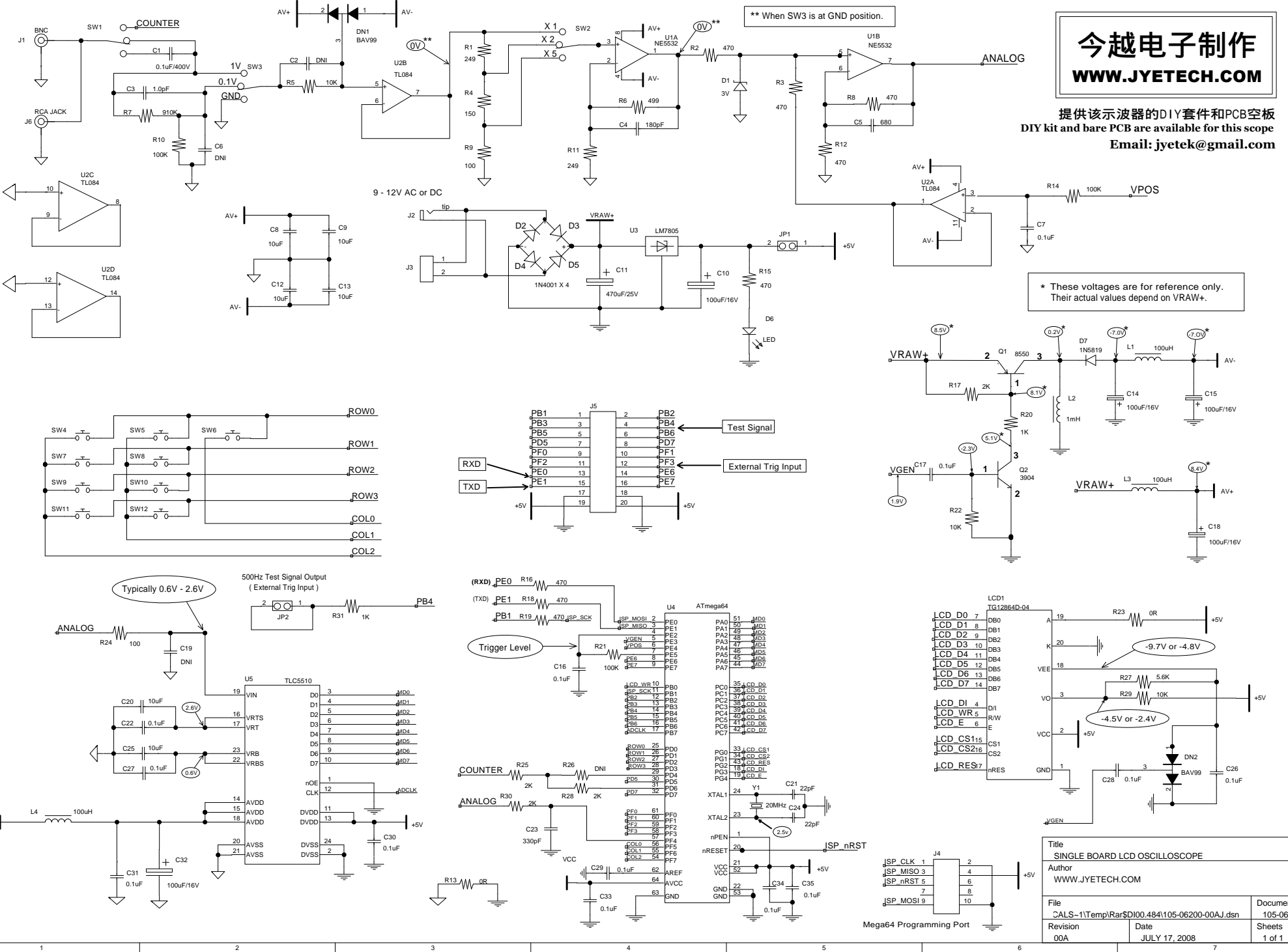


今越电子制作

WWW.JYETECH.COM

提供该示波器的DIY套件和PCB空板
DIY kit and bare PCB are available for this scope
Email: jyetek@gmail.com

* These voltages are for reference only.
Their actual values depend on VRAW+.



Title SINGLE BOARD LCD OSCILLOSCOPE	
Author WWW.JYETECH.COM	
File CALS-1(Temp)RarSDI00.4841105-06200-00AJ.dsn	Document 105-06200-00A
Revision 00A	Date JULY 17, 2008
Sheets 1 of 1	