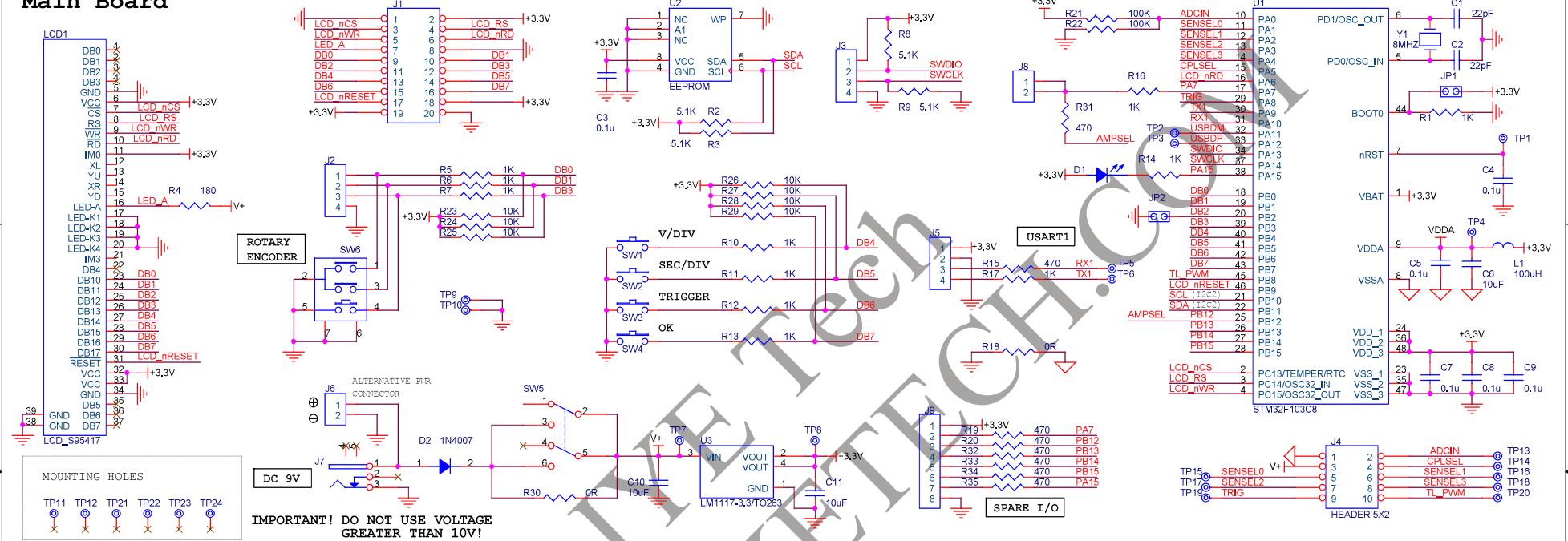


Main Board



Analogue Board

