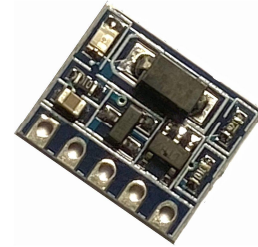


JYE118

Li-ion Battery Charger with Switch

Features

- Ø Built with LTC4054 or compatible.
- Ø Automatic battery switch
- Ø Programmable Charge Current Up to 800mA
- Ø Standard 0.1" pin pitch
- Ø Only 0.5" X 0.4" in size
- Ø Maximum working current: 800mA when source from Vin.
1A when source from battery.



Schematic

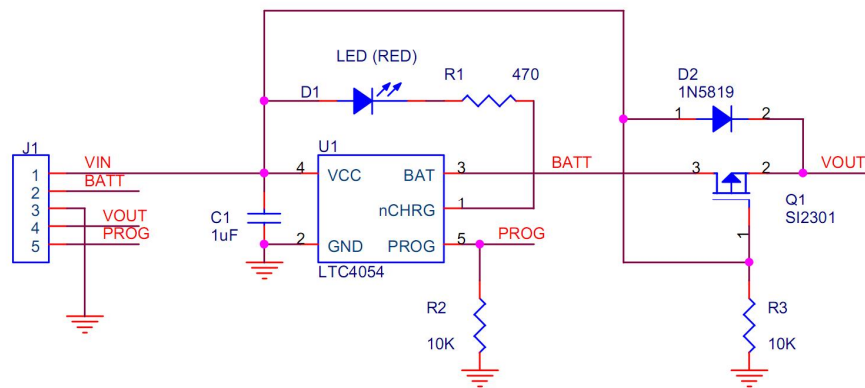


Fig. 1

Connection

Please see Fig. 2 for correct connection. **Do not apply voltage higher than 6.5V to the board!**

Programming Charge Current

Charge current can be set by a resistor between PROG pin and ground. The resistor can be calculated by the following equations:

$$R_{PROG} = 1000 / I_{CHR}$$

Please note that a on-board 10K resistor (R2) has been installed between PROG pin and ground, which sets charge current to 100mA. If larger charge current is required an external resistor (Rc in Fig. 2) can be added. Calculate Rc by $R_{PROG} = R_c // R_2$. Maximum charging current is 800 mA.

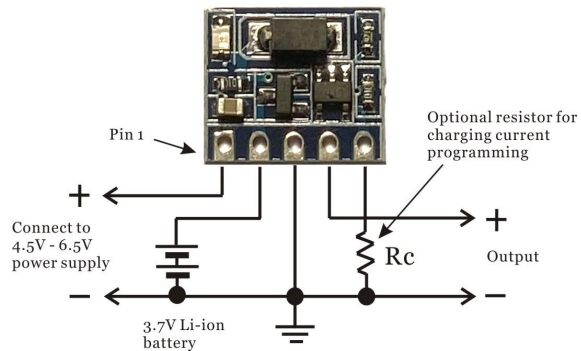
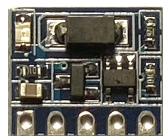
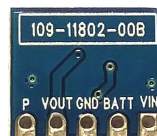


Fig. 2



Front



Back

Revision History

Version	Date	Descriptions
01	2015.12.20	First created
02	2021.01.06	Revised for B version board